

# HAWLE-VARIO

The innovative flexible fitting, PN 10 | PN 16



## Design features

- HAWLE VARIO is a flanged, telescopic fitting with integrated ball-and socket joint, permitting bending to all sides up to an angular deflection of 10 degrees
- Flange size according to EN 1092-2 | PN 16, drilled according to EN 1092-2 | PN 10 standard; EN 1092-2 | PN 16 DN 200 please specify on order - other standards on request
- HAWLE-VARIO will be fixed in the installed position by means of a tension lock assembly
- Combines the function of an FF-piece, an adjustable elbow piece and a fitting and extension piece
- HAWLE-VARIO saves time and has numerous application possibilities

## Material | Technical features

- **Body** made of ductile iron, epoxy powder coated
- **Locking ring, bolts, nuts and washers** made of stainless steel
- **Tension lock** made of stainless steel
- **O-rings** made of elastomer

No. 8010S  
No. 8011S



Order No.	Set-version	MOP (PN)	Dimensions/DN				
			50	80	100	150	200
8010S	short	16					
8011S	long						

## Application example



**E. Hawle Armaturenwerke GmbH** 4840 Vöcklabruck - Austria - Wagrainner Straße 13  
Tel.: +43 (0) 7672 72576 0 - Fax: +43 (0) 7672 78464 - E-Mail: hawle@hawle.at - hawle.com

**D 5/1**

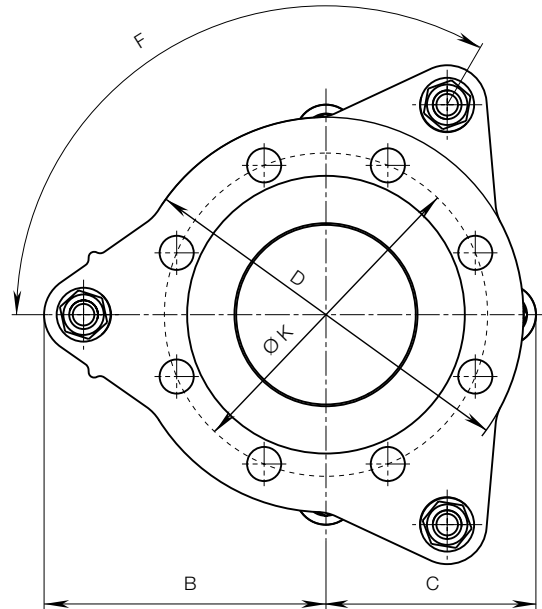
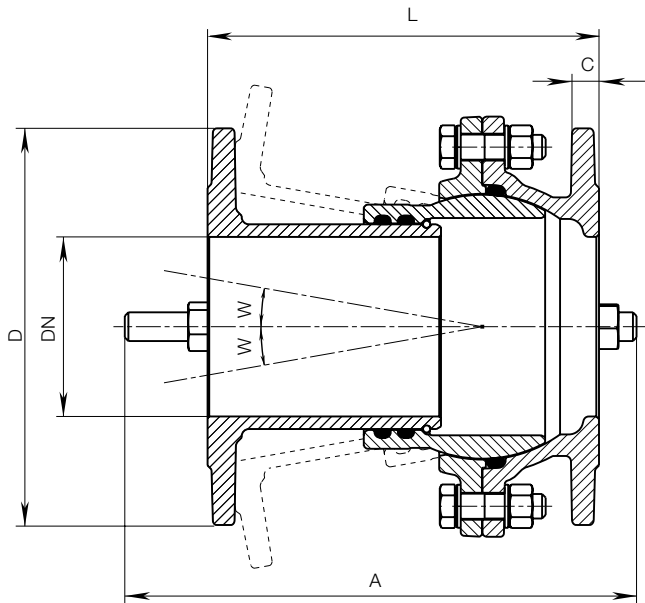
# HAWLE-VARIO

The innovative flexible fitting, PN 10 | PN 16



**No. 8010S** Short version, with tension lock

**No. 8011S** Long version, with tension lock



DN	MOP (PN)	Version	Adjustment range L	A	B	C	D	F	C	ØK	Angle W	Weight
50	16	short	150 - 207	285	130	87	165	3 x 120°	16	125	0 - 10°	8,90
		long	207 - 323	415								11,80
80		short	150 - 214	285	147	107	200	3 x 120°	16	160	0 - 10°	14,30
		long	214 - 344	415								16,85
100		short	150 - 216	285	157	117	220	3 x 120°	16	180	0 - 10°	16,20
		long	216 - 350	415								18,90
150	short	175 - 250	330	190	190	285	4 x 90°	18	240	0 - 10°	27,00	
	long	250 - 408	480								29,30	
200	10/16	short	195 - 292	360	229	229	340	4 x 90°	20	297	0 - 8°	44,80
		long	280 - 462	530								52,20

**D 5/2**



**E. Hawle Armaturenwerke GmbH** 4840 Vöcklabruck - Austria - Wagrainner Straße 13  
 Tel.: +43 (0) 7672 72576 0 - Fax: +43 (0) 7672 78464 - E-Mail: hawle@hawle.at - hawle.com